



**BOARD OF DIRECTORS**

**METROPOLITAN ATLANTA RAPID TRANSIT AUTHORITY**

**OPERATIONS AND SAFETY COMMITTEE**

**THURSDAY, JANUARY 26, 2023**

**ATLANTA, GEORGIA**

**MEETING MINUTES**

**1. CALL TO ORDER AND ROLL CALL**

Committee Chair Pond called the meeting to order at 11:34 A.M.

**Board Members**

**Present:**

Stacy Blakely  
William Floyd  
Roderick Frierson  
Jenifer Ide  
Jannine Miller<sup>1</sup>  
Al Pond  
Kathryn Powers  
Rita Scott

**Board Members**

**Absent:**

Jim Durrett  
Freda Hardage  
Russell McMurry  
Roderick Mullice  
Jacob Tzegaegbe  
Valencia Williamson  
Thomas Worthy

**Staff Members Present:**

Collie Greenwood  
Rhonda Allen  
Luz Borrero  
Ralph McKinney  
Jonathan Hunt on behalf of Peter Andrews  
Chief Burrows on behalf of Chief Kreher

<sup>1</sup>Jannine Miller is the Executive Director of the Georgia Regional Transportation Authority (GRTA). Per the MARTA Act, she is a non-voting member of the Board of Directors.

Melissa Mullinax  
Carrie Rocha  
Raj Srinath  
George Wright

**Also in Attendance:**

Leah Ward Sears, Phyllis Bryant, Lt. Tameka Chase, Kenya Hammond, Daniel Hecht, Jacqueline Holland, Tyrene Huff, Paula Nash, Michael Polynice

**2. APPROVAL OF THE MINUTES**

**Approval of the November 17, 2022 Operations and Safety Committee Minutes**

Approval of the November 17, 2022, Operations and Safety Committee minutes. On a motion by Board Member Frierson, seconded by Board Member Floyd, the motion passed by a vote of 7 to 0 with 1 member abstaining and 8 members present.

**3. RESOLUTIONS**

**Resolution Authorizing the Award of a Contract for the Procurement of Solar-Powered Mobile Trailers, IFB B50186**

Approval of the Resolution Authorizing the Award of a Contract for the Procurement of Solar Powered Mobile Trailers, IFB B50186. On a motion by Board Member Floyd, seconded by Board Member Blakley, the resolution passed by a vote of 7 to 0 with 1 member abstaining and 8 members present.

**Resolution Authorizing a Modification in Contractual Authorization for Professional Services for Police Psychological Pre-Employment Assessments, L45708**

Approval of the Resolution Authorizing a Modification in Contractual Authorization for Professional Services for Police Psychological Pre-Employment Assessments, L45708. On a motion by Board Member Frierson, seconded by Board Member Floyd, the resolution passed by a vote of 7 to 0 with 1 member abstaining and 8 members present.

**4. BRIEFING**

**Streetcar Update and Fleet Programs**

Daniel Hecht, Deputy Chief Mechanical Officer, updated the Committee on the Streetcar and Fleet programs.

**5. OTHER MATTERS**

FY23 November Operations and Safety Department KPIs (Informational Only)

**6. ADJOURNMENT**

The Committee meeting adjourned at 12:01 P.M.

Respectfully submitted,



Tyrene L. Huff  
Assistant Secretary to the Board



# **Resolution Authorizing the Award of a Contract for the Procurement of Solar Powered Mobile Trailers, IFB B50186**

Operations & Safety Committee  
January 26, 2023

Mike Polynice, MPA, CPD  
Manager of Security & Emergency  
Management |MARTA  
Police|EmergencyPreparedness Unit

# SOLAR POWERED MOBILE SURVEILLANCE CAMERAS (SPMSC):

---

- Autonomous surveillance system that uses solar power for its cameras and elevated lift mechanism
- Each system is fitted to a wheeled trailer which increases its agility and mobility for use in multiple environments
- Augments Authority's Security Posture



# BENEFITS

---

- Provides additional Security (More MARTA projects, State of Good Repair/Station Rehabilitation, Track Replacement projects)
- Serves as a criminal activity deterrent and investigative tool where deployed
- Mobility and size allow rapid deployment at locations not presently covered by CCTV
- A cost-effective solution (short term and longer term) instead of costs associated with hardwiring new cameras
- Assists the Authority in mitigating risks identified through Threat & Vulnerability Assessments (TVA), Crime Prevention Through Environmental Design (CPTED), internal reports, external state safety oversight (Georgia Department of Transportation), Transit Security Administration Baseline Assessment reports

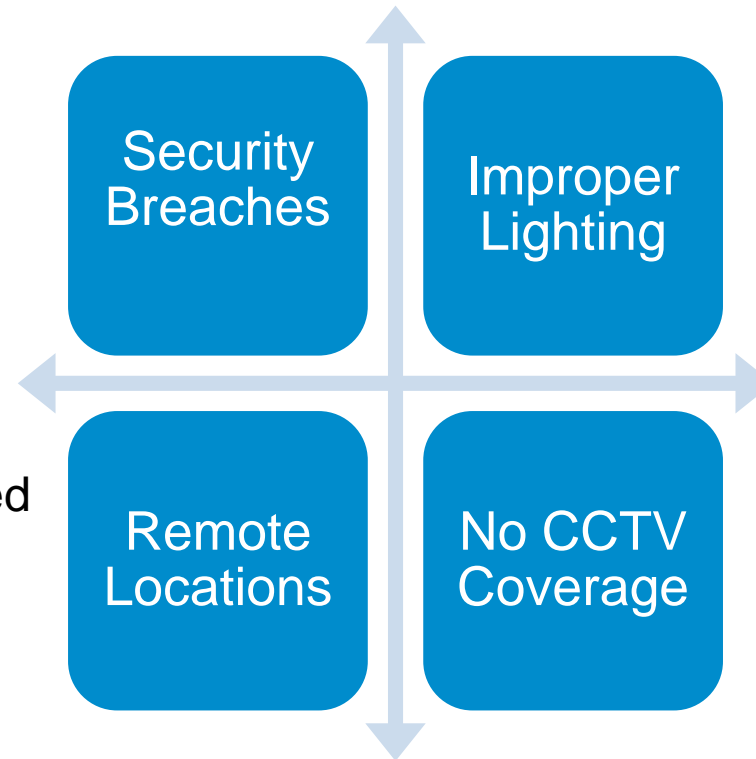


# Technical Specs

- ❑ 700 Watts of Solar Power
- ❑ On Board back up system (power failure/lack of solar power)
- ❑ Trailer raised suspension height at least 20 ft
- ❑ Record and store up to 30 days video footage
- ❑ Connects to MARTA network/Genetec CCTV/ Cloud Based
- ❑ Can be monitored remotely (Police Communications Center (PCC) /Emergency Operations Center (EOC) /Integrated Operations Center(IOC)
- ❑ Trailer equipped with lockable storage cabinets & will be stored at Candler Park and MARTA Police Precincts for ease in deployment
- ❑ Vendor will provide on site training & Ongoing Technical Support
- ❑ Vendor will provide (1) year software/hardware support & maintenance
- ❑ Includes (1) Cyber security support inline with MARTA Cyber Security Patch Management Policy

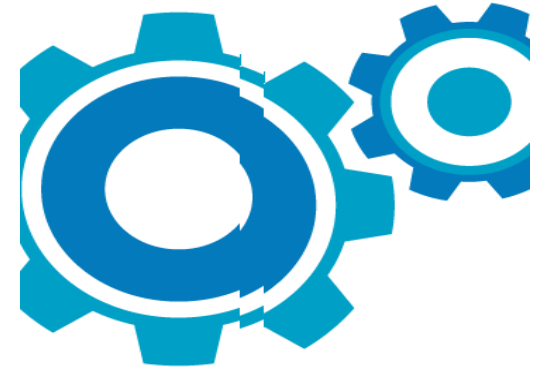
# Deployment

- ❑ Total of 20 Solar Powered Mobile Trailers
- ❑ MARTA Stations
- ❑ Parking Lots
- ❑ Bus Garages
- ❑ Rail Yards
- ❑ Other MARTA facilities (i.e. Transit Oriented Development projects) (TOD)
- ❑ Special event crowd monitoring
- ❑ Crime Prevention Through Environmental Design (CPTED) / Threat & Vulnerability Assessment (TVA) Program



## Invitation for Bid (IFB) Solicitation Process

- Commenced solicitation with release of IFB on 8/24/2022
- Seven (7) Invitations for Bids were received by the due date of 10/10/2022
- Bids were evaluated from seven (7) bidders on 10/11/2022
- ECAM Secure Inc was selected as the vendor for award

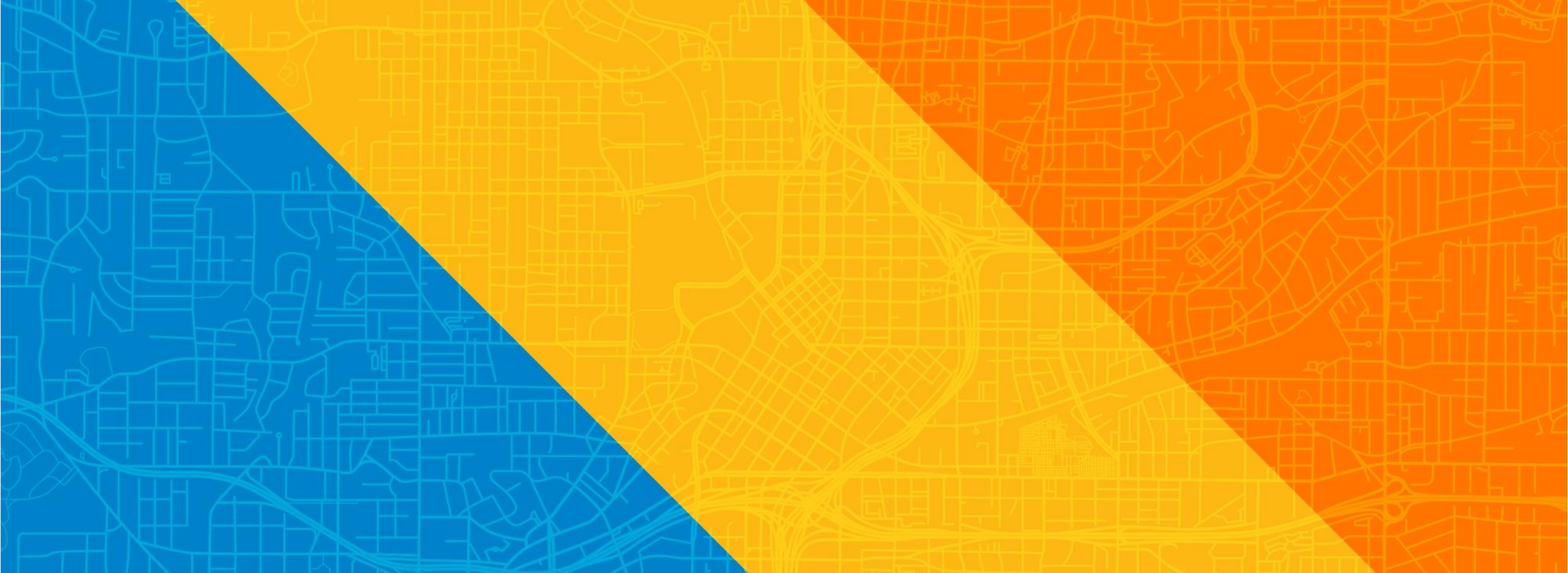




## Summary

- ECAM Secure Inc. has been selected as the lowest, responsive and responsible bidder.
- Term: One-year contract in the amount of \$374,500
- Disadvantaged Business Enterprise (DBE) goal of 5% met

**Respectfully requesting authorization to enter a contract (IFB B50186) with ECAM Secure Inc. for the Solar Powered Mobile Surveillance Cameras in the amount of \$374,500 for one year**



Thank You

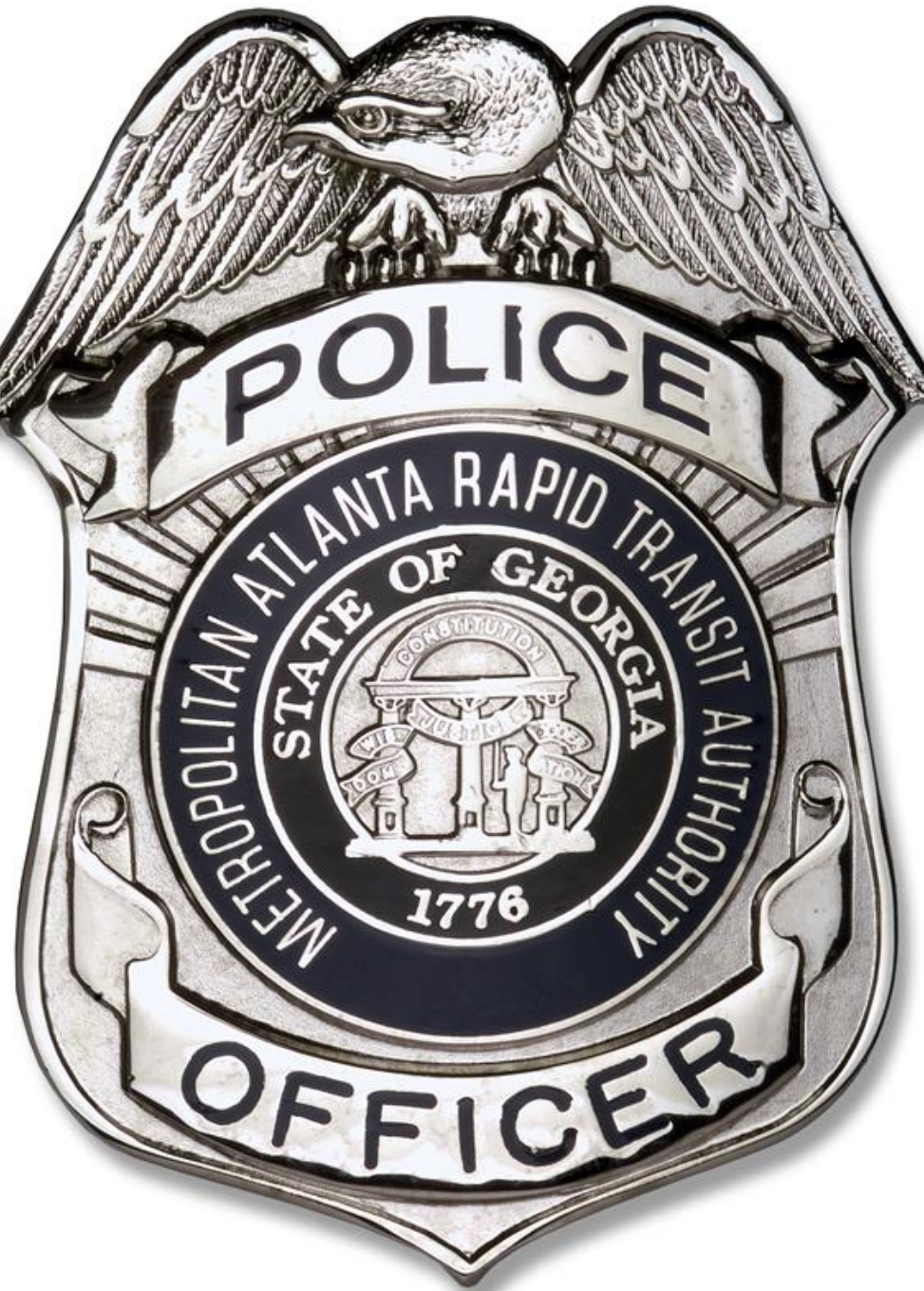




**Request for Resolution  
Authorizing a  
Modification in  
Contractual  
Authorization for  
Professional Services for  
Police Psychological Pre-  
Employment  
Assessments, L45708**

**Operations and Safety Committee  
January 26, 2023**

**Lt. Tamika Chase  
MARTA Police Department**



# History

- MARTA PD has utilized the psychological services of Stone, McElroy and Associates for well over a decade
- Effective January 1, 2021, Georgia Peace Officer Standards and Training Council (POST) required each peace officer candidate in Georgia to submit to a psychological evaluation

# Benefits

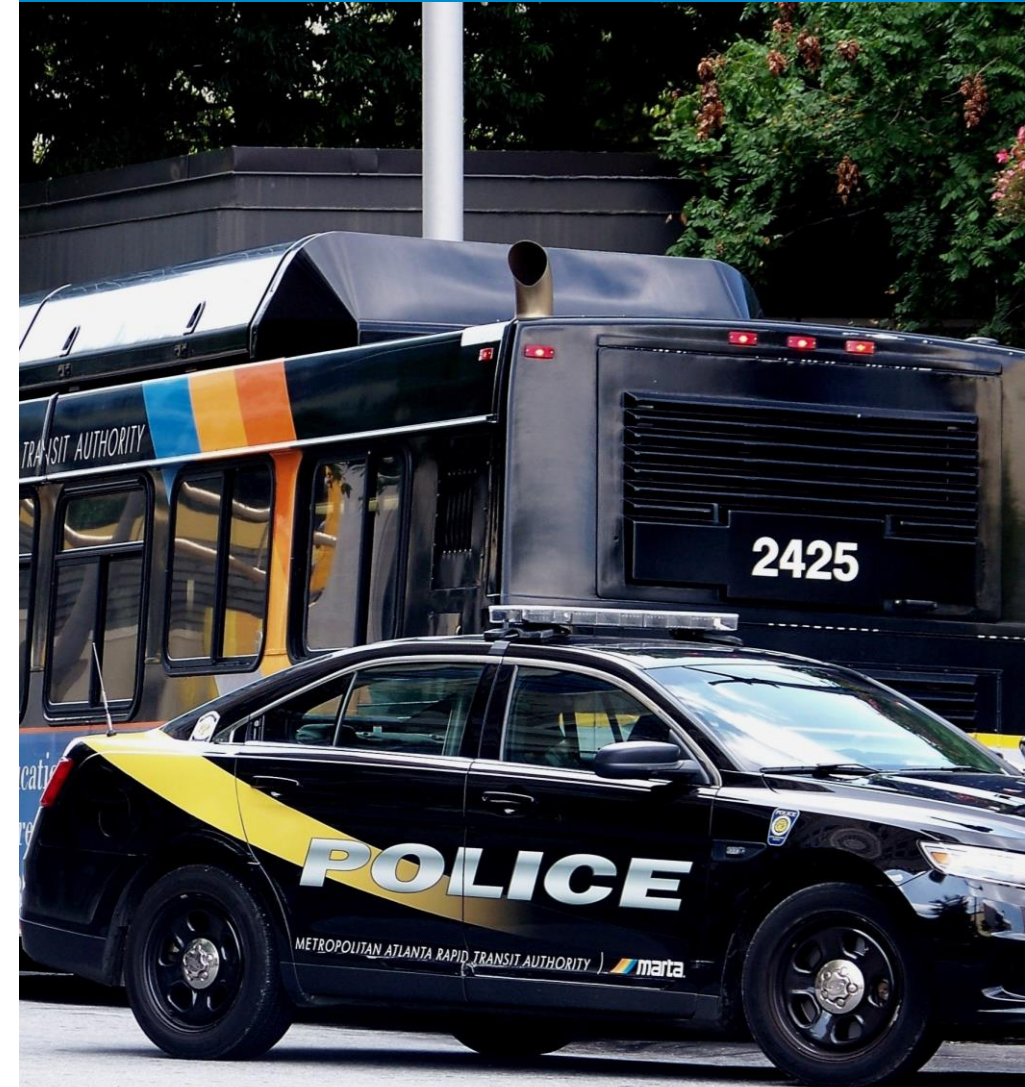
**Stone, McElroy and Associates offers the following:**

- proctored virtual testing
- individual assessments
- secure access to reports via an online portal
- applicant has ability to schedule testing
- quality control by employing second psychologist to review findings



## Modifications to current contract

- Access to ProctorPRO, a remote test proctoring service where Stone, McElroy staff proctor testing for Pre-Employment evaluations via HIPAA-compliant Zoom software.
- Increased yearly allotment from 150 pre-employment tests to 170 pre-employment tests yearly

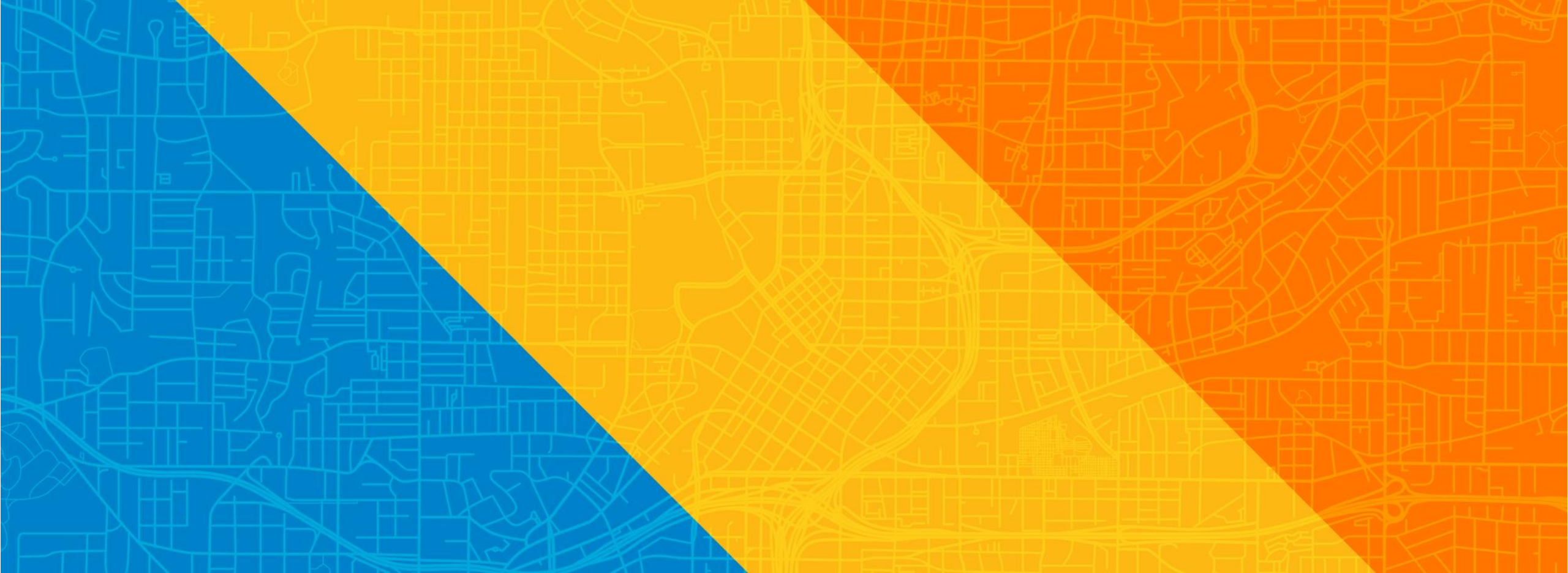




# Proposed Contract Highlights

- Original three-year contract began in April 2020 for \$179,550 and ends April 2023.
- Contract modification in August 2022 (\$20,310 increase) for \$199,860.
- This modification is for an additional \$146,100 for an additional two years.
- The Office of Diversity and Inclusion did not assign a DBE goal as this is a Professional Services Agreement.

**Respectfully requesting authorization for Resolution Authorizing Modification in Contractual Authorization for Professional Services for Police Psychological Pre-Employment Assessment, L45708 with Stone, McElroy, and Associates in the amount of \$146,100.00 for two years which brings this contract with extension to \$345,960 for a total of five years.**



Thank You







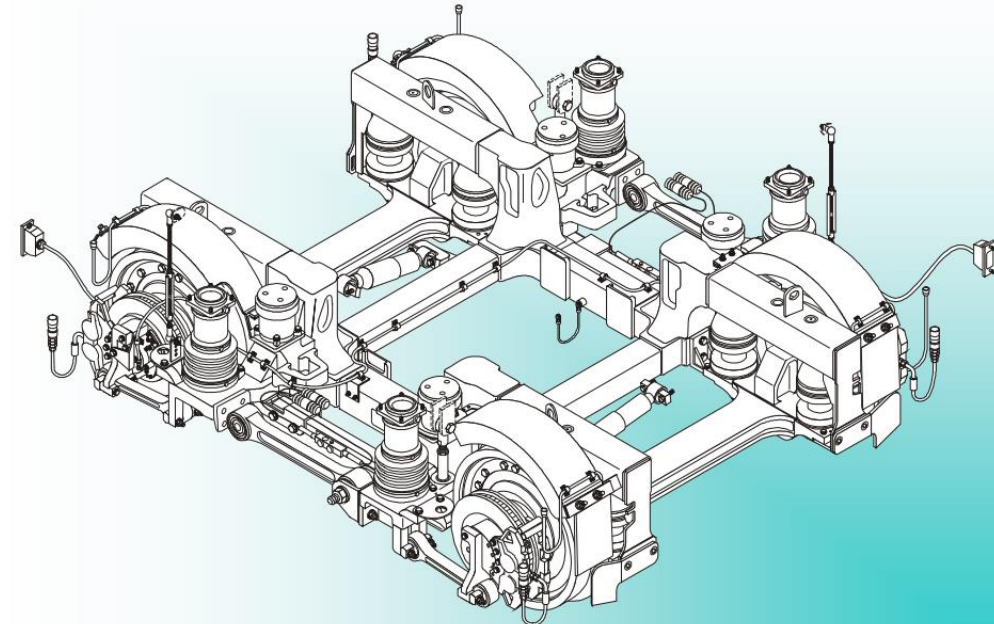
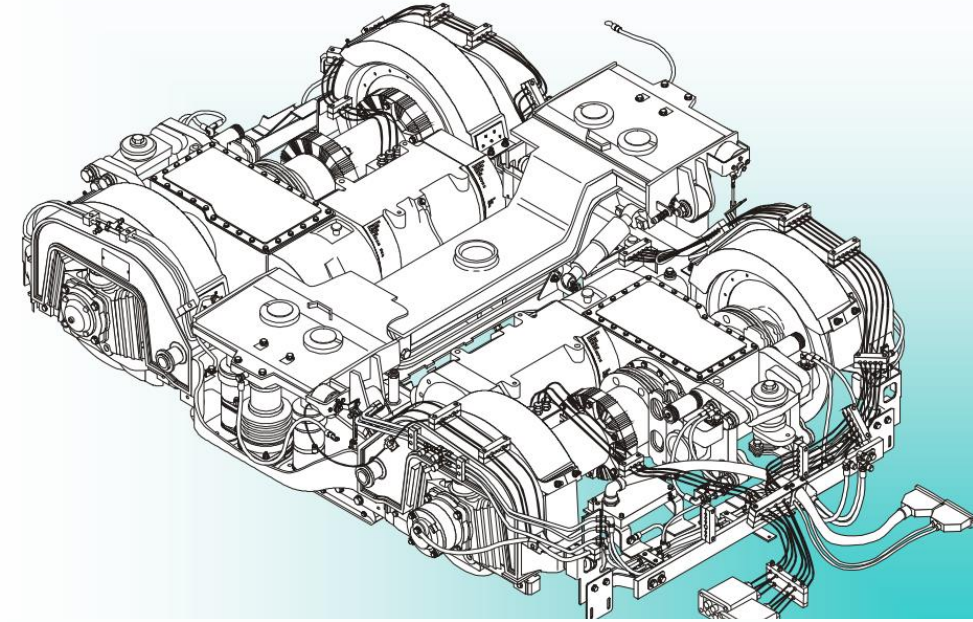
# Briefing: Streetcar Update and Fleet Programs

Operations and Safety Committee  
January 26, 2023

Daniel Hecht, P.E.  
Deputy Chief Mechanical Officer

## STREETCAR BASICS

- We have four Siemens S70 Streetcar vehicles
- All four vehicles currently on a 'safety hold' due to poor wheel condition
- Contract with Siemens to replace these wheels
- To replace wheels, trucks need to be removed and shipped to Siemens



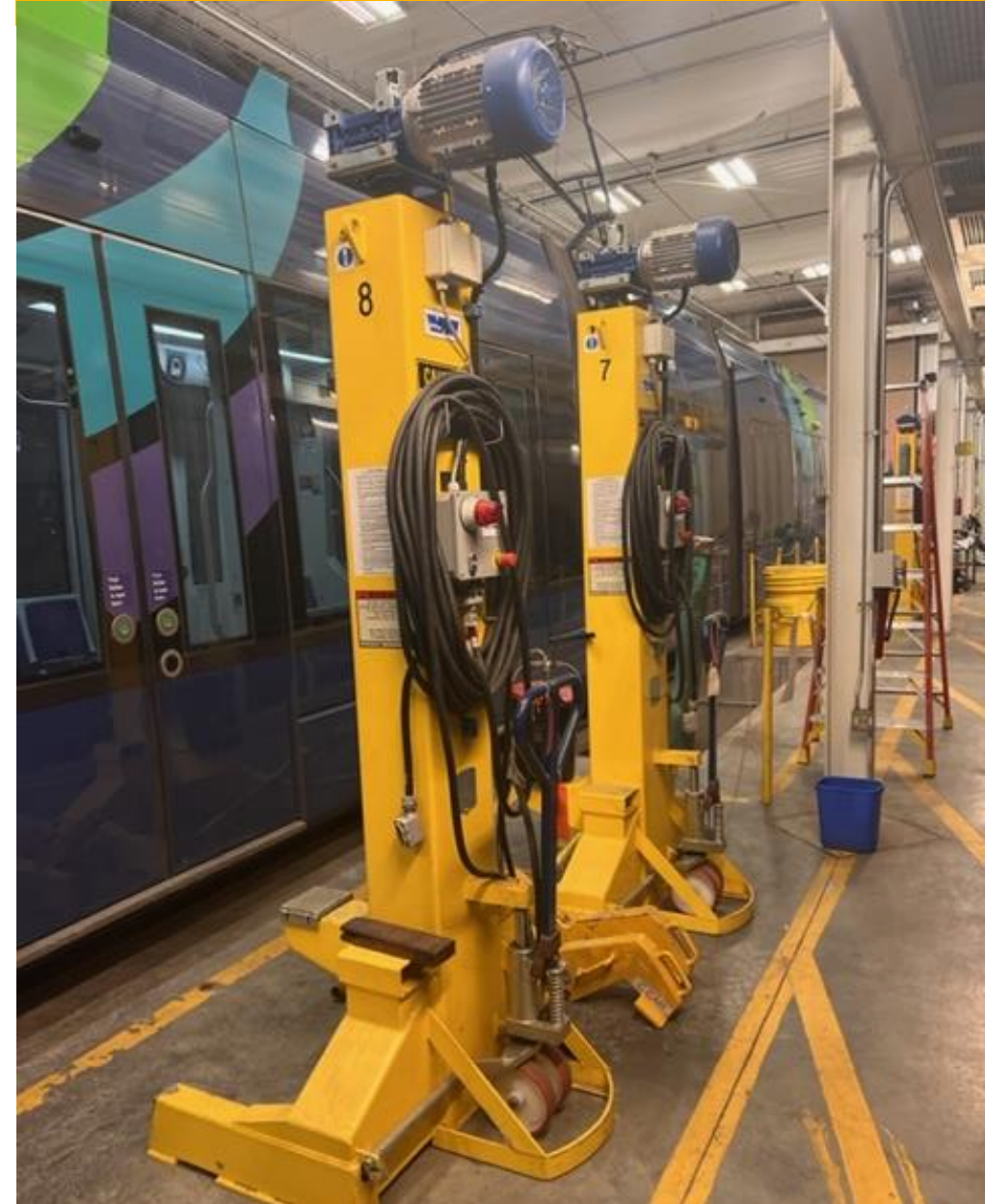
## STREETCAR REPAIR UPDATE

- First set of streetcar truck assemblies in Sacramento, CA
- Trucks are disassembled and in process of being rebuilt
- On schedule for February delivery and March return to service (first streetcar)



## UTAH TRANSIT AUTHORITY

- Limiting factor: how many truck assemblies we can get into repair
- Dependent on the vehicle lifts and dollies
- Assistance from Utah Transit Authority
- UTA is loaning us a set of dollies
- Doubles pace of repair work



## CONTINUITY OF SERVICE

- 3 shuttles currently running
- Wrapped with streetcar theme
- Servicing all stops along route
- Ridership:
  - ~16,000/month pre-hold
  - ~2,200/month with shuttle
- New marketing plan
  - Station announcements
  - Enhanced signage
  - “Promoting the mode”



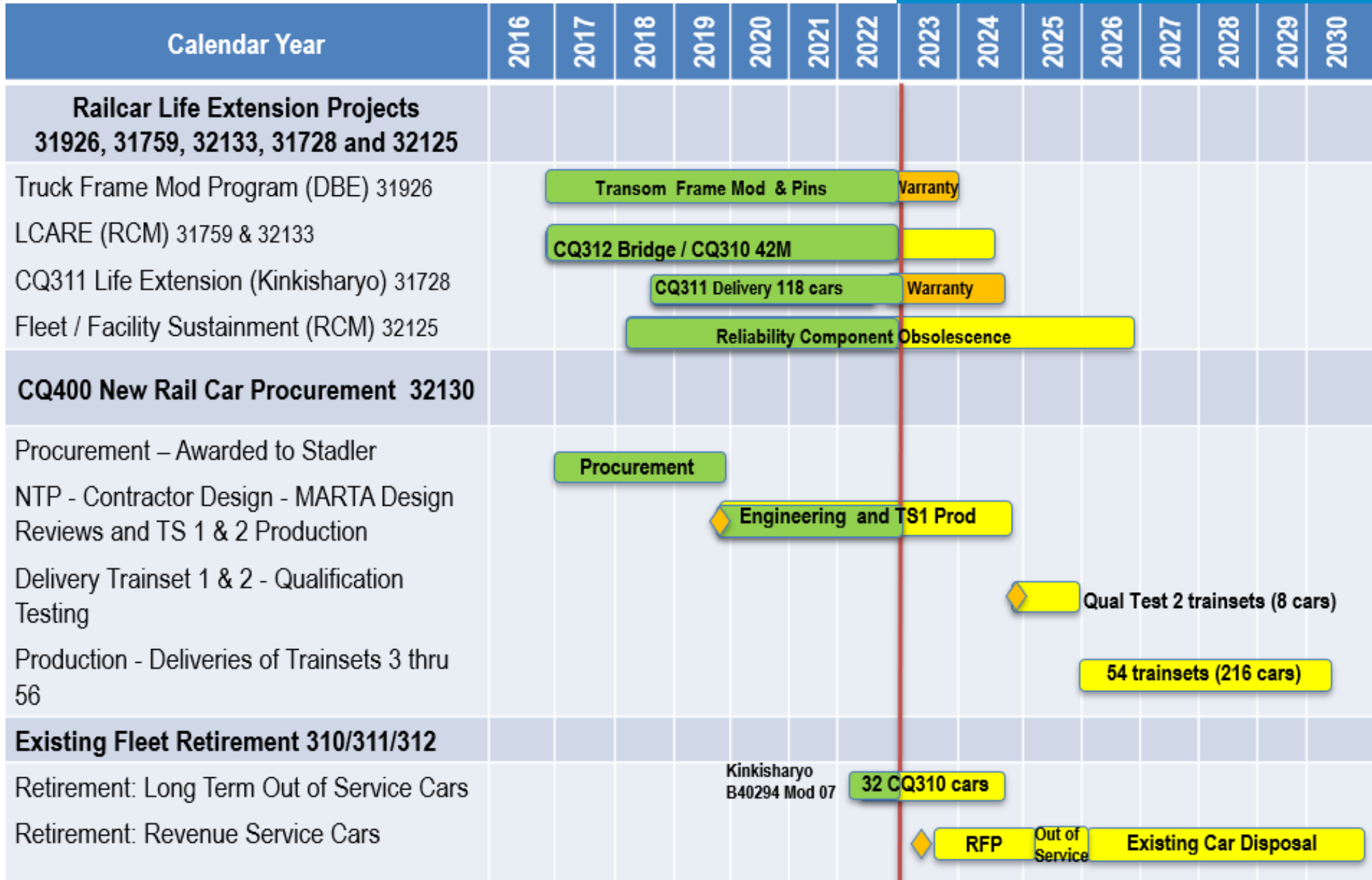
## HEAVY RAIL PROGRAMS

Rail Car Fleet (3 Series – 260 cars)

Six Major Programs

1. Preventative Maintenance
2. Truck Frame Modification
3. Fleet Life Extension (311 series)
4. LCARE (310 and 312 series)
5. Fleet Sustainment Initiatives
6. New Railcars





## FLEET LIFE EXTENSION

**Contract Award** **\$146.5M**

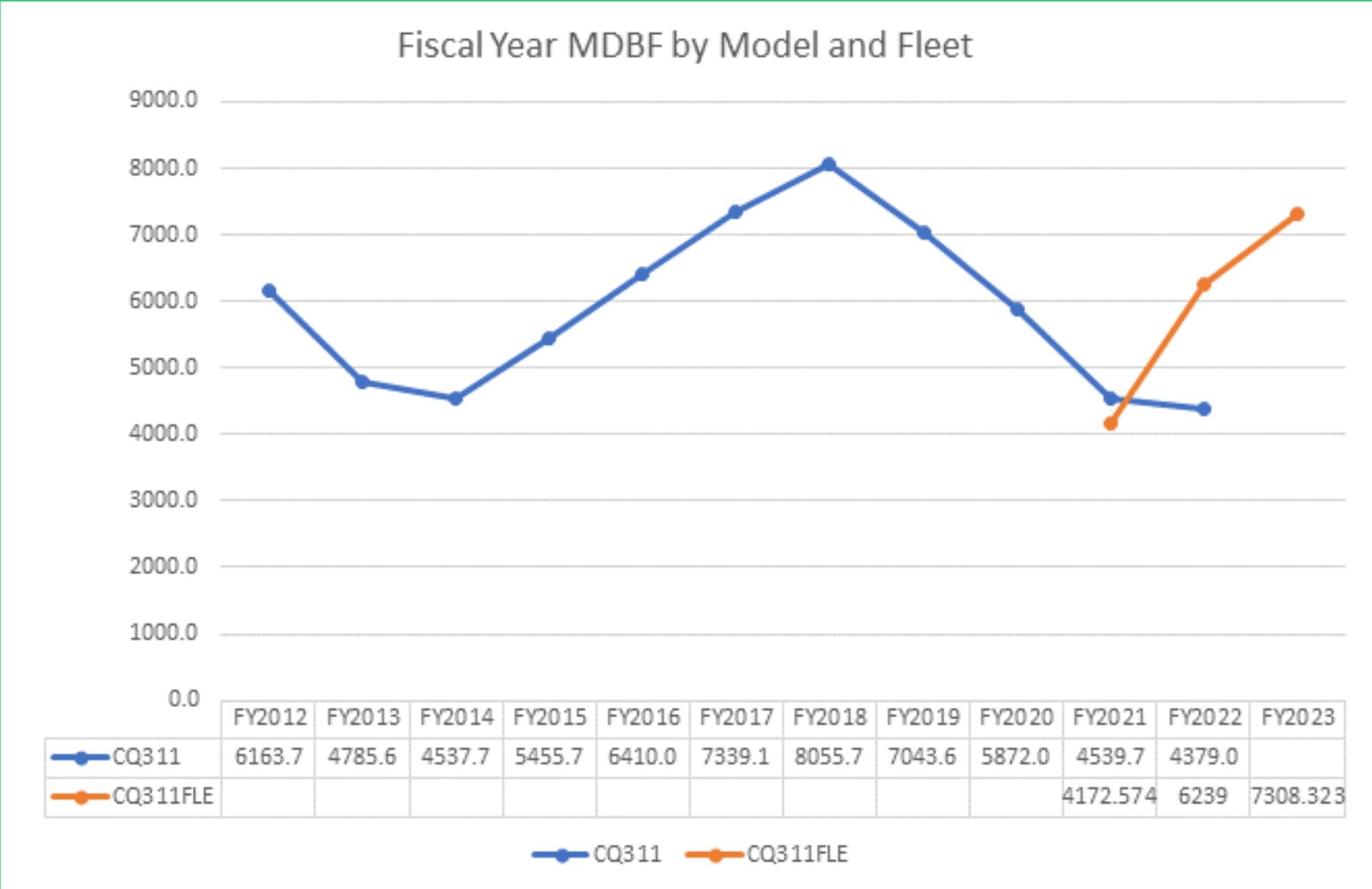
- Overhaul of 311 Series  
118 Vehicles \$86.8M
- Repair work \$3.8M
- Disposal/Abatement \$6.1M
- Other Work \$1M

**Total Authorized** **\$97.7M**





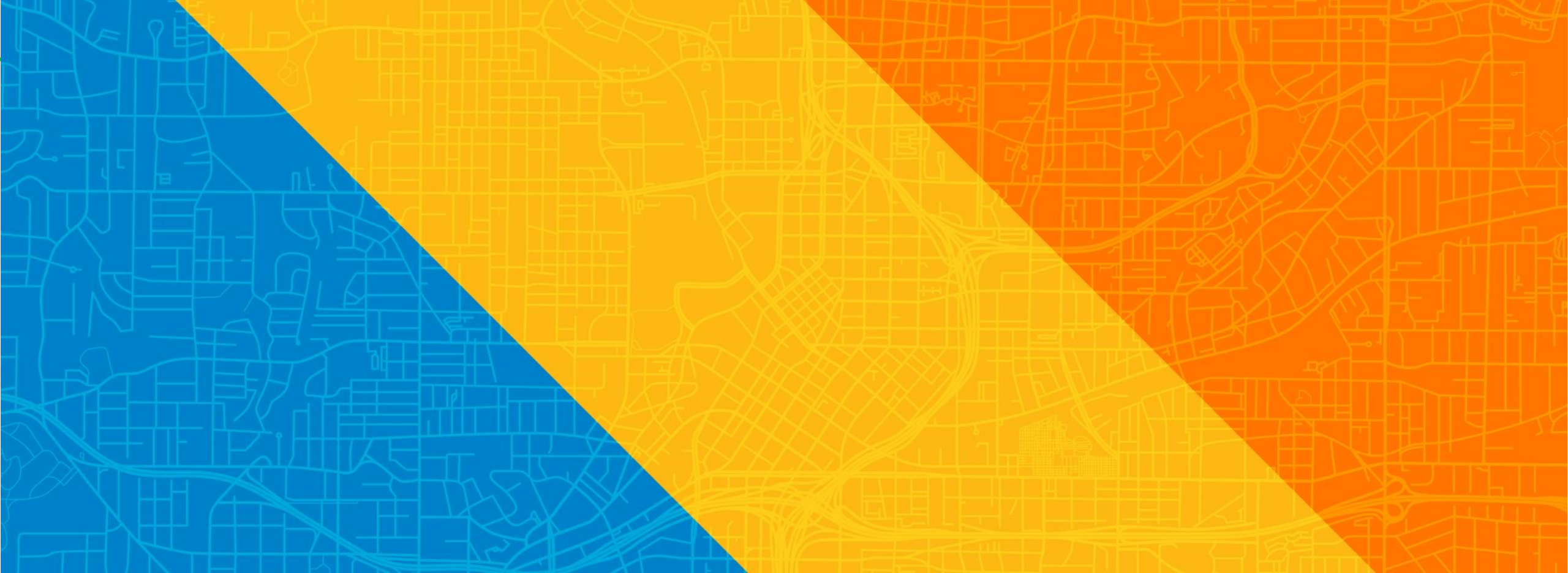
# Mean Distance b/w Failure - Miles



## MOVING FORWARD

- Heavy rail • 40+ years
- Streetcar • <5 years
- Current streetcar programs
- Investing in new programs
- Continuous improvement





Thank You

